

BORDURA SEMPLICE

STRAIGHT 20x20x1,3

CORNER 20x20x1,3

FINISH

LV

AK

LCD

OP

PCS Straight

Tinta Unita - m²

Tinta Unita - m²

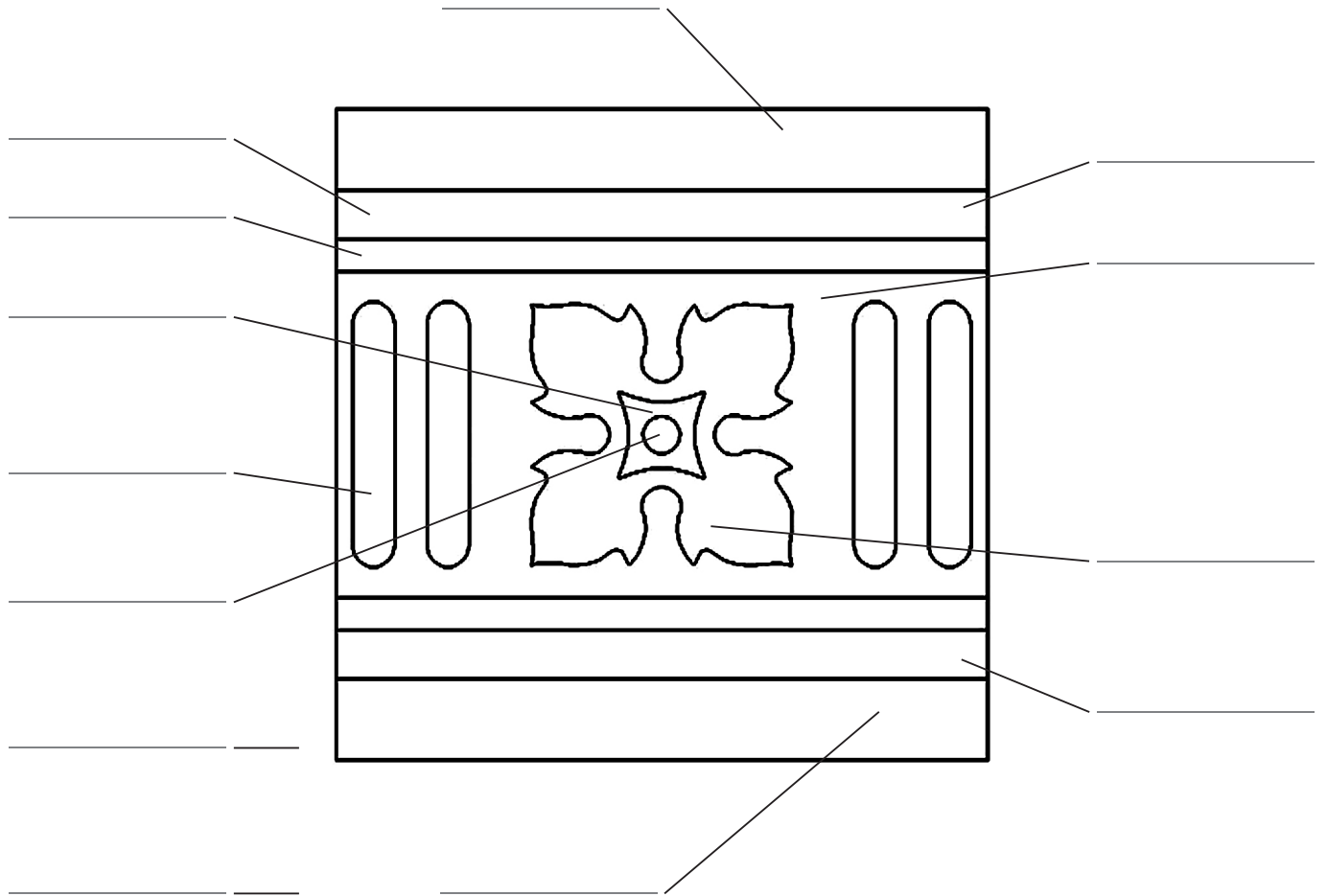
Skirting - lm

PCS Corner

Colour

Colour

Colour



COLOURS

GRANIGLIA

- | | | |
|------------------------------------|-------------------------------------|-------------------------------------|
| <input type="checkbox"/> AV AVORIO | <input type="checkbox"/> RS ROSA | <input type="checkbox"/> VD VERDINO |
| <input type="checkbox"/> BI BIANCO | <input type="checkbox"/> SA SALMONE | <input type="checkbox"/> VE VERDE |
| <input type="checkbox"/> GR GRIGIO | <input type="checkbox"/> RO ROSSO | <input type="checkbox"/> MA MARRONE |
| <input type="checkbox"/> NE NERO | <input type="checkbox"/> GI GIALLO | <input type="checkbox"/> AZ AZZURRO |

PASTINA

- | | | |
|-------------------------------------|------------------------------------|-------------------------------------|
| <input type="checkbox"/> AV AVORIO | <input type="checkbox"/> GI GIALLO | <input type="checkbox"/> SA SALMONE |
| <input type="checkbox"/> RO ROSSO | <input type="checkbox"/> SB SABBIA | <input type="checkbox"/> GR GRIGIO |
| <input type="checkbox"/> MA MARRONE | <input type="checkbox"/> VE VERDE | <input type="checkbox"/> NE NERO |
| <input type="checkbox"/> AZ AZZURRO | | |

PURCHASER

customer number our order number

client your reference

address

postcode city

phone fax mobile ph.

vat / tax code

THE CLIENT

FOR ACCEPTANCE

PAVIMENTI FOGAZZA SNC

Date