

BORDURA SEMPLICE

GERADES STÜCK 20x20x1,3

ECKSTÜCK 20x20x1,3

Ausführungen

LV

AK

LCD

OP

PCS Gerades

Tinta Unita - m²

Tinta Unita - m²

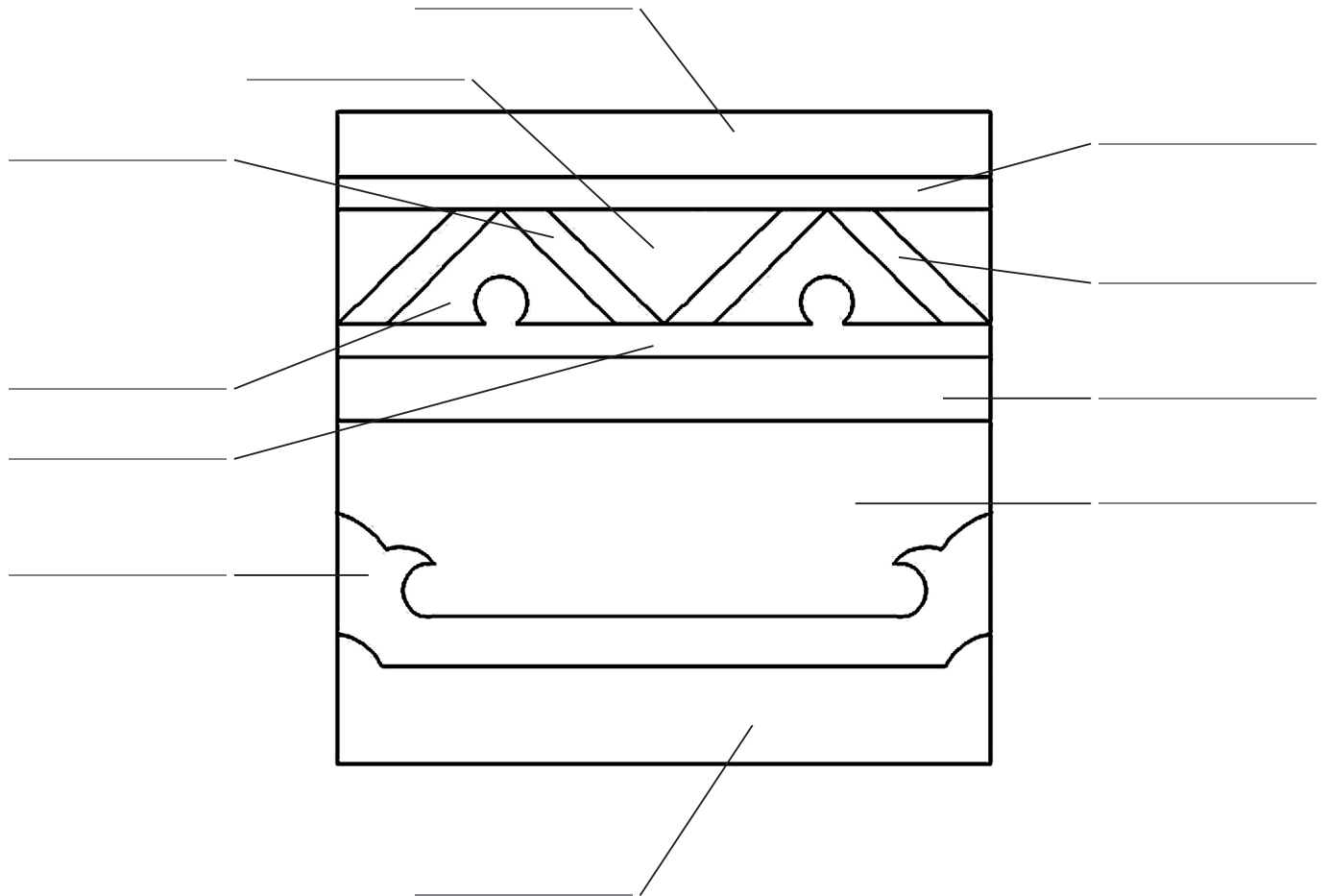
sockelleiste - lfm

PCS Eckstück

Colour

Colour

Colour



FARBEN

GRANIGLIA

- | | | |
|------------------------------------|-------------------------------------|-------------------------------------|
| <input type="checkbox"/> AV AVORIO | <input type="checkbox"/> RS ROSA | <input type="checkbox"/> VD VERDINO |
| <input type="checkbox"/> BI BIANCO | <input type="checkbox"/> SA SALMONE | <input type="checkbox"/> VE VERDE |
| <input type="checkbox"/> GR GRIGIO | <input type="checkbox"/> RO ROSSO | <input type="checkbox"/> MA MARRONE |
| <input type="checkbox"/> NE NERO | <input type="checkbox"/> GI GIALLO | <input type="checkbox"/> AZ AZZURRO |

PASTINA

- | | | |
|-------------------------------------|------------------------------------|-------------------------------------|
| <input type="checkbox"/> AV AVORIO | <input type="checkbox"/> GI GIALLO | <input type="checkbox"/> SA SALMONE |
| <input type="checkbox"/> RO ROSSO | <input type="checkbox"/> SB SABBIA | <input type="checkbox"/> GR GRIGIO |
| <input type="checkbox"/> MA MARRONE | <input type="checkbox"/> VE VERDE | <input type="checkbox"/> NE NERO |
| <input type="checkbox"/> AZ AZZURRO | | |

KUNDE

Kundennummer Unsere Bestellnummer

Auftraggeber Ihre Referenz

Adresse

PLZ. Stadt

Telefon Fax Mobil Tel.

MwSt. / Steuer-Code

KUNDE

ZUR ANNAHME

PAVIMENTI FOGAZZA SNC

Datum